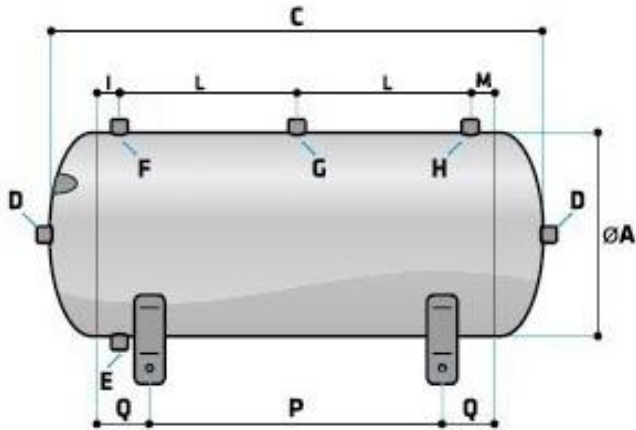
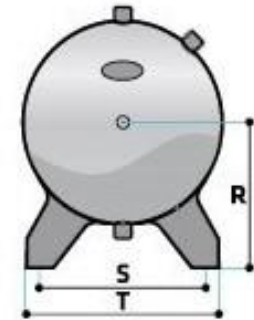
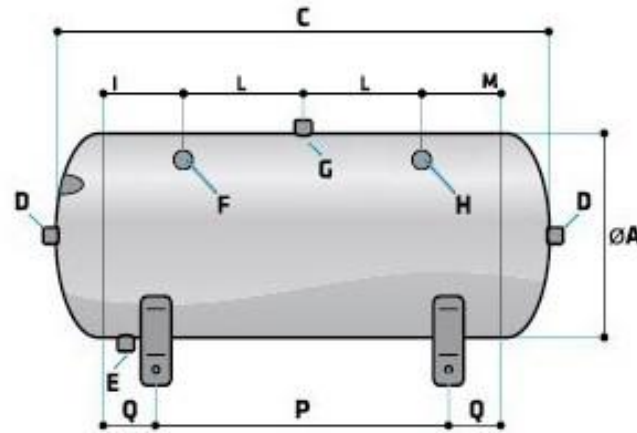


150l / 270l Horizontal



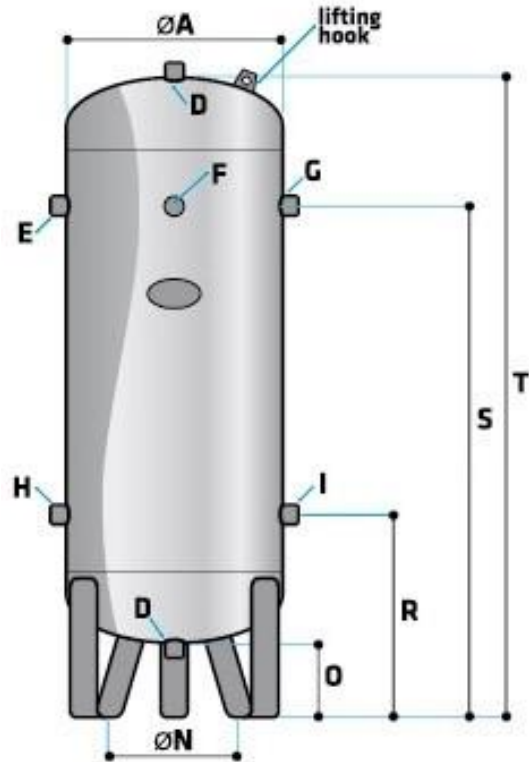
500l Horizontal



### Horizontal Tanks

Model	Capacity	Pressure	Weight	A	C	D	E	F	G	H	I	L	M	P	Q	R	S	T
	Lt	bar	kg	mm		inch					mm							
440048	150	11	50	400	1224	2	1/2	1/2	-	1/2	45	-	45	735	132.5	266	340	398
440046	270	11	70	490	1456	2	1/2	1	-	1/2	50	-	45	895	127.5	331	454	512
440052	500	11	125	600	1856	2	1/2	1	1/2	1	300	450	300	1020	240	392	470	535

### 150l / 270l / 500l Vertical



Vertical Tanks															
Model	Capacity	Pressure	Weight	A	D	E	F	G	H	I	N	O	R	S	T
	Lt	bar	kg	mm	inch						mm				
440049	150	11	50	400	2	1	3/8	1	1	1	360	140	402	1102	1364
440047	270	11	70	490	2	1	3/8	1	1	1	440	200	503	1353	1656
440053	500	11	125	600	2	1	1/2	1	1	1	536	184	562	1662	2040