

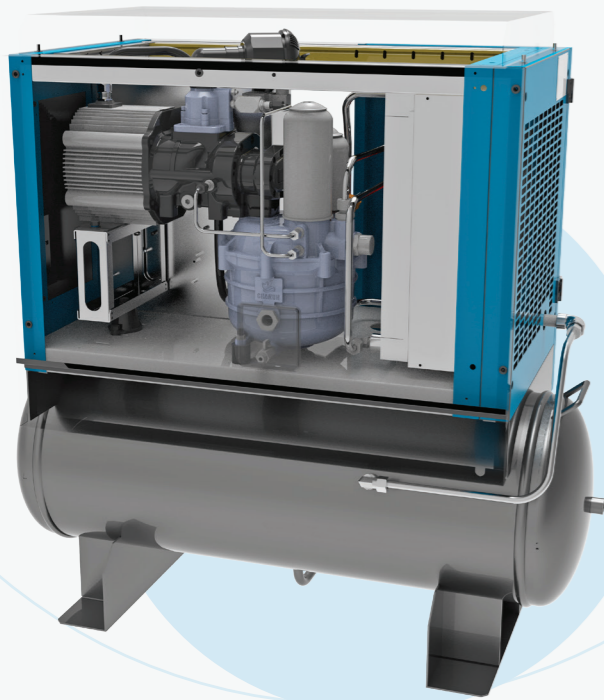
# Neo Series

Rotary Screw Compressors

5HP | 7.5HP | 10HP



EL-AV Compressors USA Corp.



## Features

### Direct driven

One shaft direct drive with no gear or coupling results in zero energy waste on power transmission

### Galvanized Steel tubing

Durable & reliable solution to eliminate possibilities for leakage downtime

### Variable speed drive

Wide rpm range fits the compressed air flow to the actual air demand

### Efficient cooling system

Efficient, heavy-duty oil & air cooling system promise that the compressor capable of working at the toughest conditions.

### IP67 Permanent magnet motor

High efficiency and extremely low noise level

Neo series – a small innovative solution

## Pros

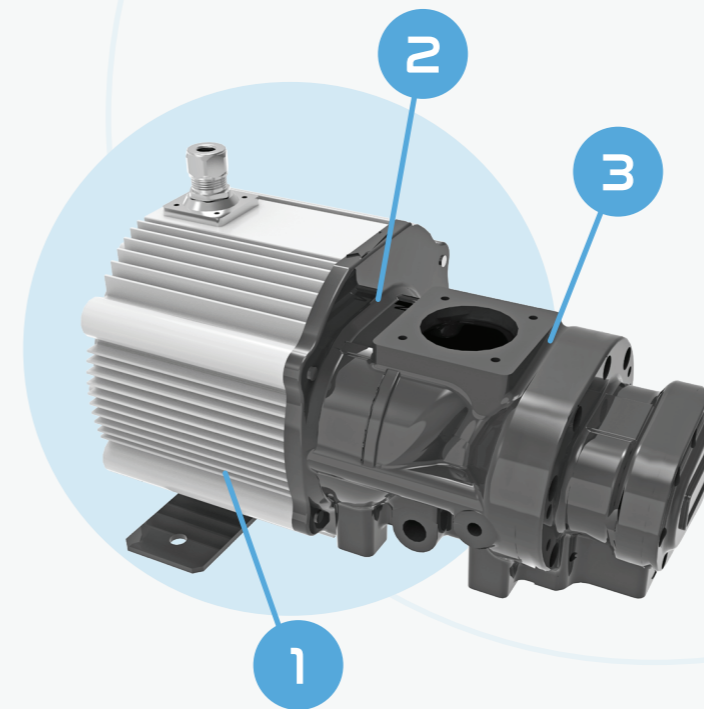
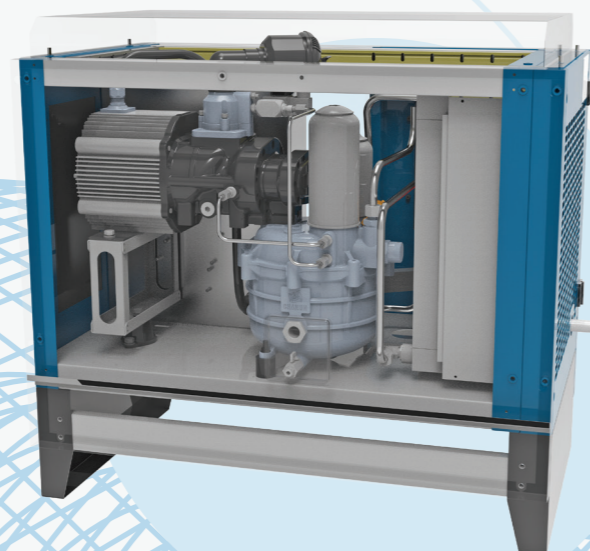
Super silent and compact design

Smart engineering for easy and fast maintenance

System built for continuous work with active cooling system

Highest efficiency solution for 5hp up to 10hp

Durable and built for heavy duty usage



### 1 Permanent magnet motor

- IP67 – extremely durable and quiet
- IE4+ efficiency rate
- Wide rpm range (25%-100%)
- Smaller footprint

### 2 Direct driven unit

One shaft direct drive without gear or coupling results in zero energy waste on power transmission

### 3 Screw air end

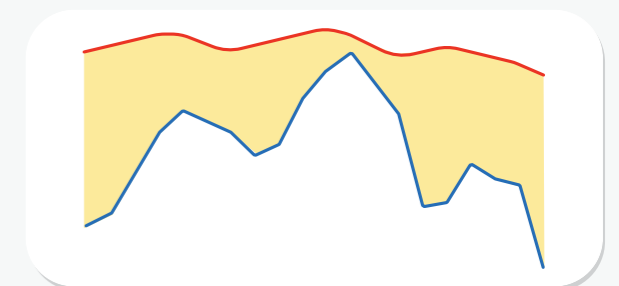
- Unique high efficiency rotor profile
- Reinforced 6 bearings as standard
- Design for heavy duty usage
- Stainless steel rotors

## Energy savings with Neo series

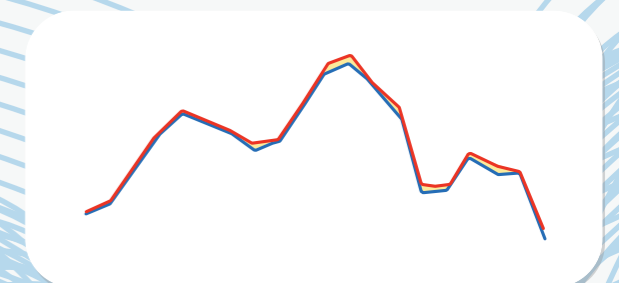
Neo series comes with IE4+ efficiency motor and variable speed control.

The combination of PM motor and variable speed drive results in drastic energy saving over any other solution while staying durable and suitable for 24/7 working at heavy duty applications.

### Fixed speed scheme



### VSD working scheme



Model	Working Pressure		Capacity FAD						Electric motor			Noise level	Electricity	Air outlet
	bar(g)	psi(g)	m3/min		l/min		cfm		Hp	Kw	RPM (MAX)	dB(A)	Voltage	inch
			min	max	min	max	min	max						
NEO5	8	116	0.08	0.42	84	420	3	14.8	5	3.7	2400	69	200-240 (3 Phase)	G 1/2"
	10	145	0.08	0.39	78	390	2.8	13.8						
	12.5	181	0.07	0.36	72	360	2.5	12.7						
NEO5SP	8	116	0.09	0.43	86	430	3	15.2	5	3.7	2400	69	200-240 (1 Phase)	G 1/2"
	10	145	0.08	0.39	78	390	2.8	13.8						
	12.5	181	0.07	0.37	74	370	2.6	13.1						
NEO7	8	116	0.11	0.56	112	560	4	19.8	7.5	5.5	3300	71	200-240 (3 Phase)	G 1/2"
	10	145	0.10	0.52	104	520	3.7	18.4						
	12.5	181	0.10	0.49	98	490	3.5	17.3						
NEO7SP	8	116	0.11	0.56	112	560	4.0	19.8	7.5	5.5	3300	71	200-240 (1 Phase)	G 1/2"
	10	145	0.10	0.52	104	520	3.7	18.4						
	12.5	181	0.10	0.49	98	490	3.5	17.3						
NEO10	8	116	0.19	0.97	194	970	6.9	34.3	10	7.5	4200(8-10)/ 3600(12)	75	200-240 (3 Phase)	G 1/2"
	10	145	0.18	0.91	182	910	6.4	32.1						
	12.5	181	0.16	0.80	160	800	5.7	28.3						
NEO10SP	8	116	0.19	0.97	194	970	6.9	34.3	10	7.5	4200(8-10)/ 3600(12)	75	200-240 (1 Phase)	G 1/2"
	10	145	0.18	0.91	182	910	6.4	32.1						
	12.5	181	0.16	0.80	169	800	5.7	28.3						



Model	Dimensions (L×W×H)		Weight (kg)	
	in	mm	lbs	kgs
NEO5	33X21X30	840×530×760	231	105
NEO5SP				
NEO7				
NEO7SP	33X23X31	840×590×795	243	110
NEO10				
NEO10SP				



www.el-av.com  
Marketing@el-av.com  
EL-AV Compressors USA Corp.



UL Certification pending  
manufactured with UL  
certified components